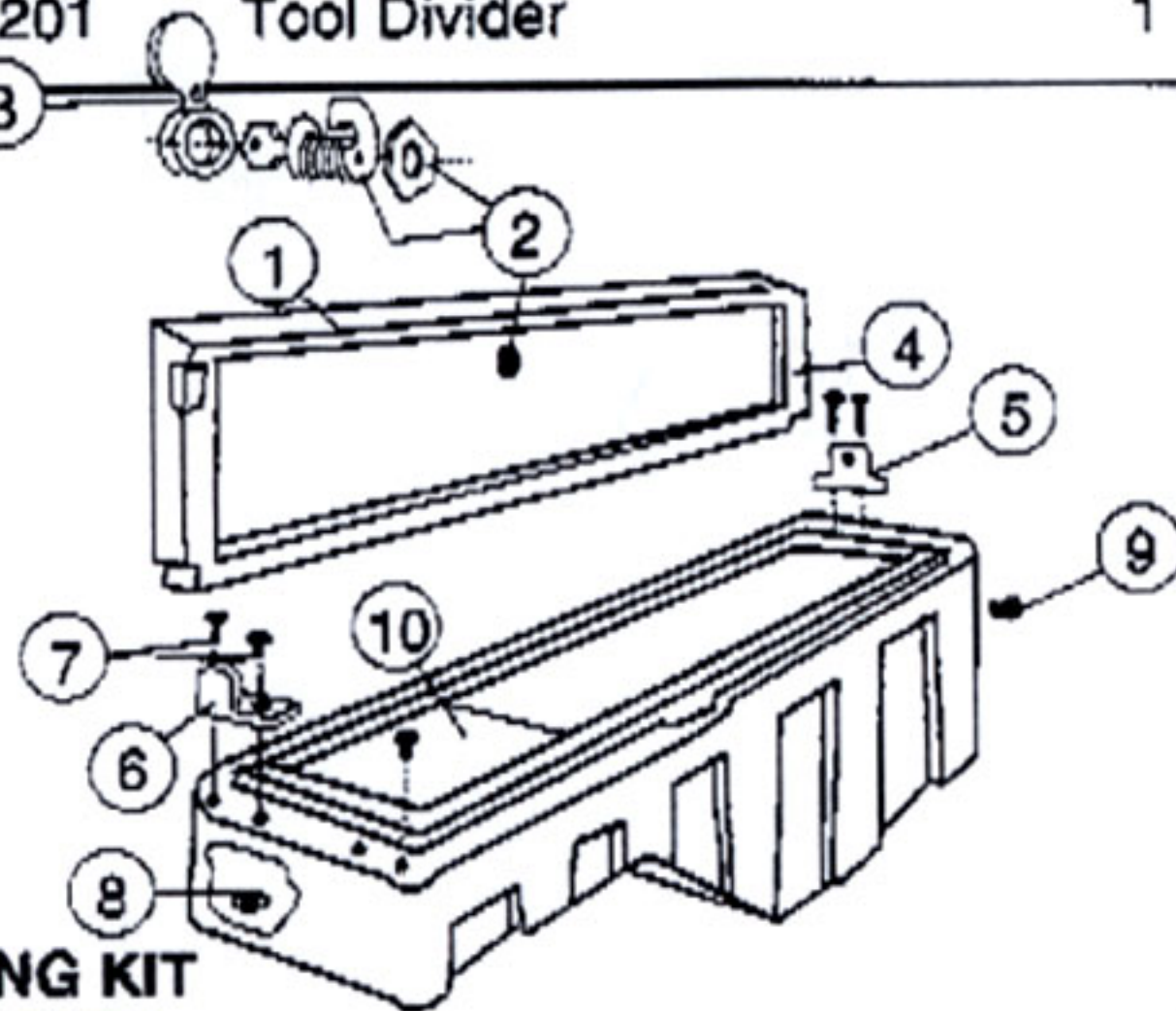


# Instruction Sheet

## Replacement Parts List For Model No. 250000 (Fleet), 251000 (Compact)

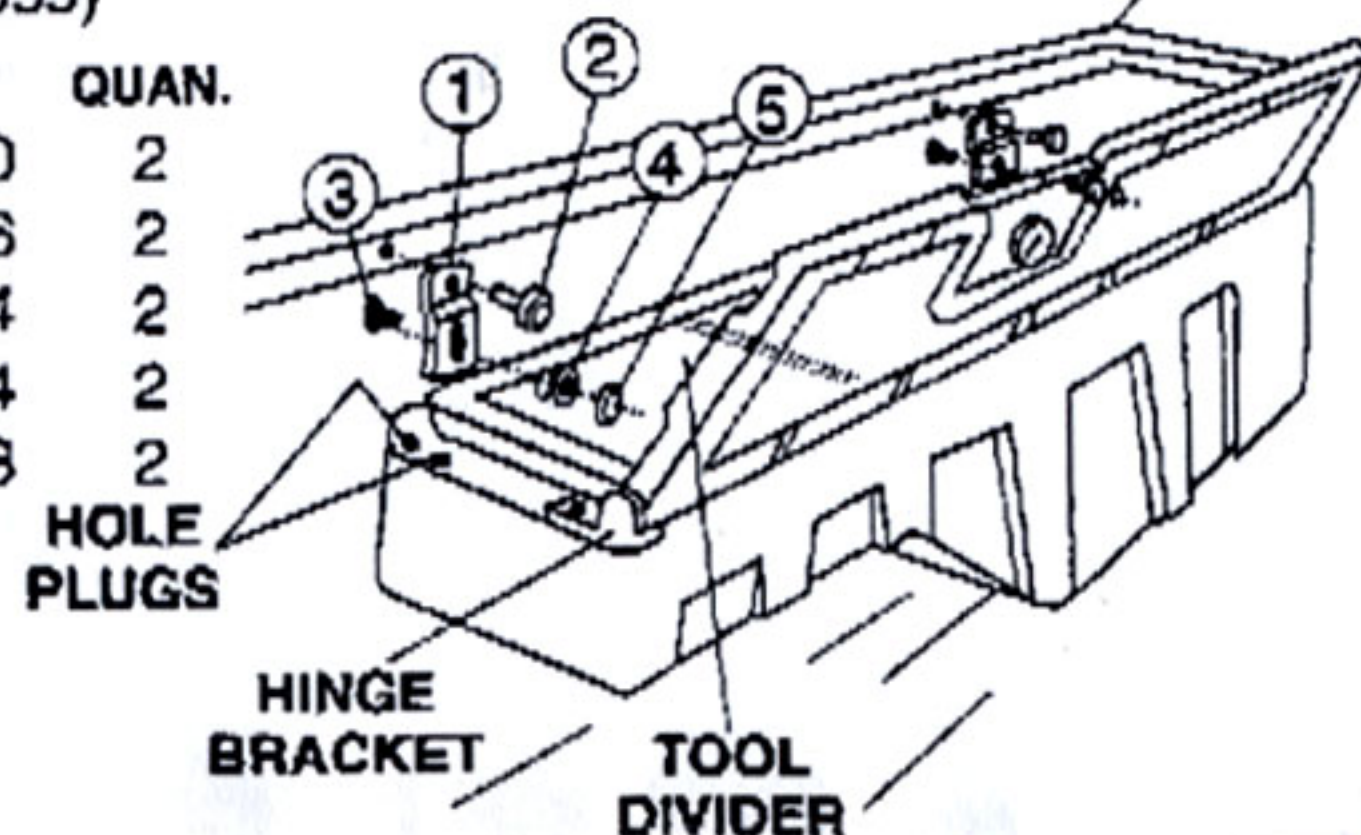
### REPLACEMENT PARTS

ITEM NO.	PART NO.	DESCRIPTION	QTY. REQ'D.
1	2520-3	Lid Assembly (Black)	1
2	10676	Cam Lock and Nut	1
3	10678	Lock Cap	1
4	10727-1	Weather Stripping $\frac{1}{4}$ x $\frac{3}{4}$	7 ft.
5	10621-2	R.H. Hinge Bracket	1
6	10621-1	L.H. Hinge Bracket	1
7	82855	Carriage Bolt	8
8	82249	Nut	8
9	10662	Drain Plug	1
10	25201	Tool Divider	1



### MOUNTING KIT (P/N - 10655)

ITEM NO.	P/N	QUAN.
1	21000	2
2	82846	2
3	82854	2
4	82844	2
5	82843	2



### Instructions

#### INSTALLATION

- Position the box in the desired location along the pickup rail, either in front of or behind the wheel well.
  - Drill two  $\frac{5}{16}$  dia. holes (to accept  $\frac{1}{4}$ " dia. sheet metal screws; Item 2) on the inside lip of the pickup rail. It is recommended that these two holes be located approx. 32" between centers with one hole located approx. 3" from the end of the box.
  - Attach the two brackets (P/N 21000) to the inside rail using the two sheet metal screws (P/N 82846).
- Note: Do not tighten these screws at this time to allow the brackets to hang free.
- Place the box back in position and measure for the location of and drill two  $\frac{5}{16}$  dia. holes in the box side in line with and approx. centered with the slotted holes in the two brackets.
  - Install the two carriage bolts (P/N 82854) through the slotted holes in the brackets as shown at left and into the box holes. Install the two flat washers (P/N 82844) and two hex nuts (P/N 82843) on the inside of the box and tighten.
  - Tighten the sheet metal screws.

#### TOOL DIVIDER

- Place one end of the divider between the indentions on one side of the box at the desired location.
- Place the other end of the divider against the taper of the indentions on the opposite side of the box.
- Strike the divider lightly near the end with a hammer to snap it into place.

#### REVERSING LID

- Remove the (4) carriage bolts from the alternate hinge mounting locations.
- Remove the (4) hex nuts from inside the box below the hinges.
- Remove the lid assembly, reverse it, and place the carriage bolts through the holes on the opposite side.
- Do not remove the hinge brackets from the lid.
- Replace the carriage bolts in the original hinge mounting holes.
- Reinstall the hex nuts inside the box.

**CAUTION:** Caution! This box is made of polyethylene; painting of this product is not recommended. Paint will not adhere to the surface. To keep it looking new, wash as needed with mild detergent and rinse thoroughly.

**Save This Instruction Sheet**